

Description

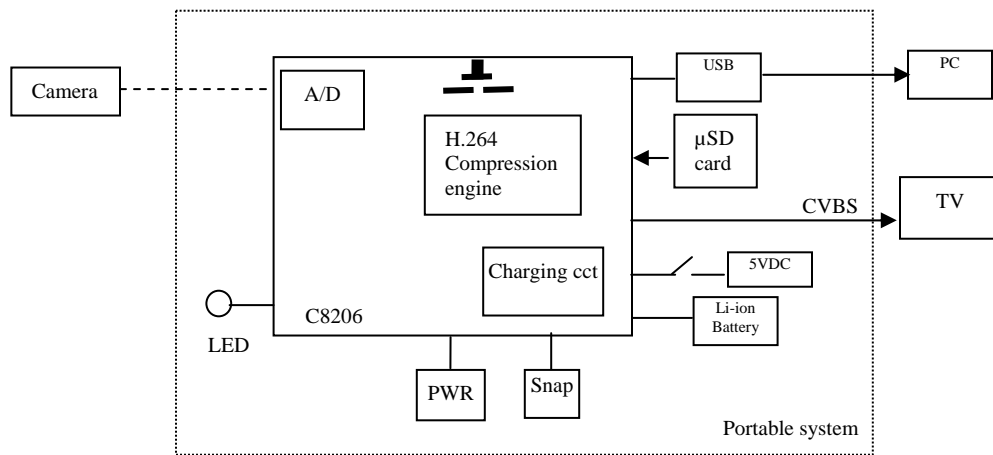
This is a small and simple video recorder, operated by lithium battery, very easy to operate. It is a single key design if use for video recording only, use the same key to power on and off; start and stop video recording. Video file store in micro SD card, user can either download files thru USB connection or using SD card reader. Addition key can be added for still picture capture.

Features

- Single key operation for video recording only
- Additional key for snap shot (option)
- 1-channel video input
- CVBS out to TV monitor
- AVI – 720x480 (NTSC) or 720x576 (PAL) 30fps
- Still picture – 720x480 (NTSC) or 720x576 (PAL)
- H.264 compression
- Compact size (54x43mm)
- Battery operated, allow 12 hr operation when using 2500mAH battery
- USB mass storage
- Built in charging circuit, low voltage detect
- Built in RTC to keep clock running
- Files save to micro SD card, in max 1.5G per file
- Support 32G micro SD card



Block diagram



Electrical characteristics

	Condition	Min	Typ	Max	Unit
Operation Voltage		3.5	3.7	5	V
Operation Current	Recording	166	228	235	mA
	Standby	161	220	228	mA
Shut down current	With battery connected	23	25	700	uA

Operation – video recording only without connection to TV monitor

1. Connect composite video, apply micro SD card before turn on the unit.
2. Turn on power: press PWR key for 2 sec until green LED on.
3. Press PWR key once, it starts recording, LED will be flashing
4. Press PWR key again, it stops recording.
5. Press and hold PWR key until LED off, system will be power off.
6. When battery low, it stops recording and power off automatically.
7. Plug in USB charging, blue LED will be on until fully charged
8. At power on, Plug in to PC, start application for files download. Blue LED will be on simultaneously.

Operation – both video recording and snap shot

1. When it is recording, press once Snap, it will take a photo. It will not affect status of recording
2. When it is not in recording, press once Snap, it takes a photo and LED will flash once.
3. Other operations are same as above.

Operation – connect to TV monitor

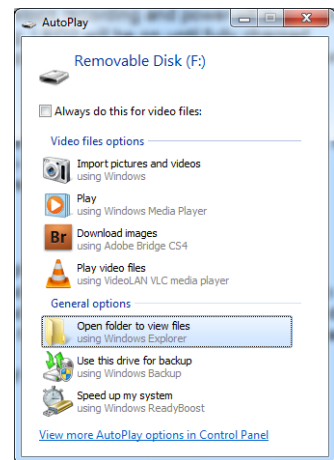
1. Use AV cable to connect Video out to TV monitor
2. On TV screen, it will show real time video and icons in green.
3. When it is recording, camcorder icon changes to red.
4. When snap shot, camera icon changes to red.

Charging the battery

Plug in charger thru USB connector. it starts charging and blue LED will lit. During charging, no key operation can be performed.

PC Operation

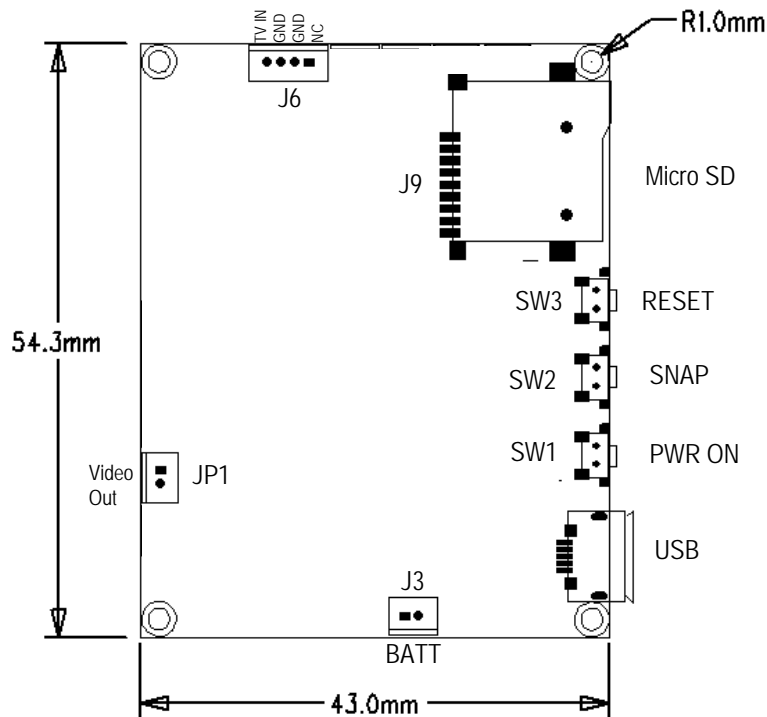
1. Connection the camera to PC
 - a. Turn on camera, plug in PC thru USB cable
 - b. PC will detect a external hard disks plugged in and install driver automatically.
 - c. Blue LED will be on simultaneously
 - d. During USB plug in, key operation will be disable.
2. Files download and playback in PC
 - a. Select removable disk, open folder DCVD and sub-folder of 00000000 will be displayed.
 - b. Open sub-folder, it will display all the video or still picture files
 - c. File name format of video is "PICxxxxx.AVI", still picture is "PICxxxxx.JPG". Number count start from "00000" to "00999", if exceed 1000 files, it will create another folder to store.
 - d. File names are mixed and in order of number count.
 - e. Double click the file name to play back the file on PC.
 - f. Drag the files to desktop and save to PC.



Set up Date/time

1. Before setup, remove SD card, connect TV out to monitor, turn on power.
2. Press and hold Snap key until menu pops up
3. Press Snap once to increase digit
4. Press Snap and hold to shift next field
5. Press PWR key to save and exit menu
6. Please note that it is a single key used to increase the digit, if the digit is bigger than you want, you need to repeat pressing until the right digit.

Mechanical Drawings and connectors



	Name	Description
SW1	Power/ record	Press and hold to power on the module. At power on, press once to start recording During recording press once to stop recording
SW2	SNAP	Press once to snap a still picture
SW3	Reset	Reset the system and turn off without saving anything
J3	Battery input	Battery input, can accept li-ion battery 4.2V or DC 5V
J9	Micro SD	Support micro SD card, support up to 32G
J25	USB	USB2.0 interface, for file down load to PC thru USB connection
J6	AV input	Video input, connect to analog camera video out

Note:

1. It doesn't support SD card hot plug, never remove SD card when it is connected to PC
2. If no SD card present, plug in USB will give error info